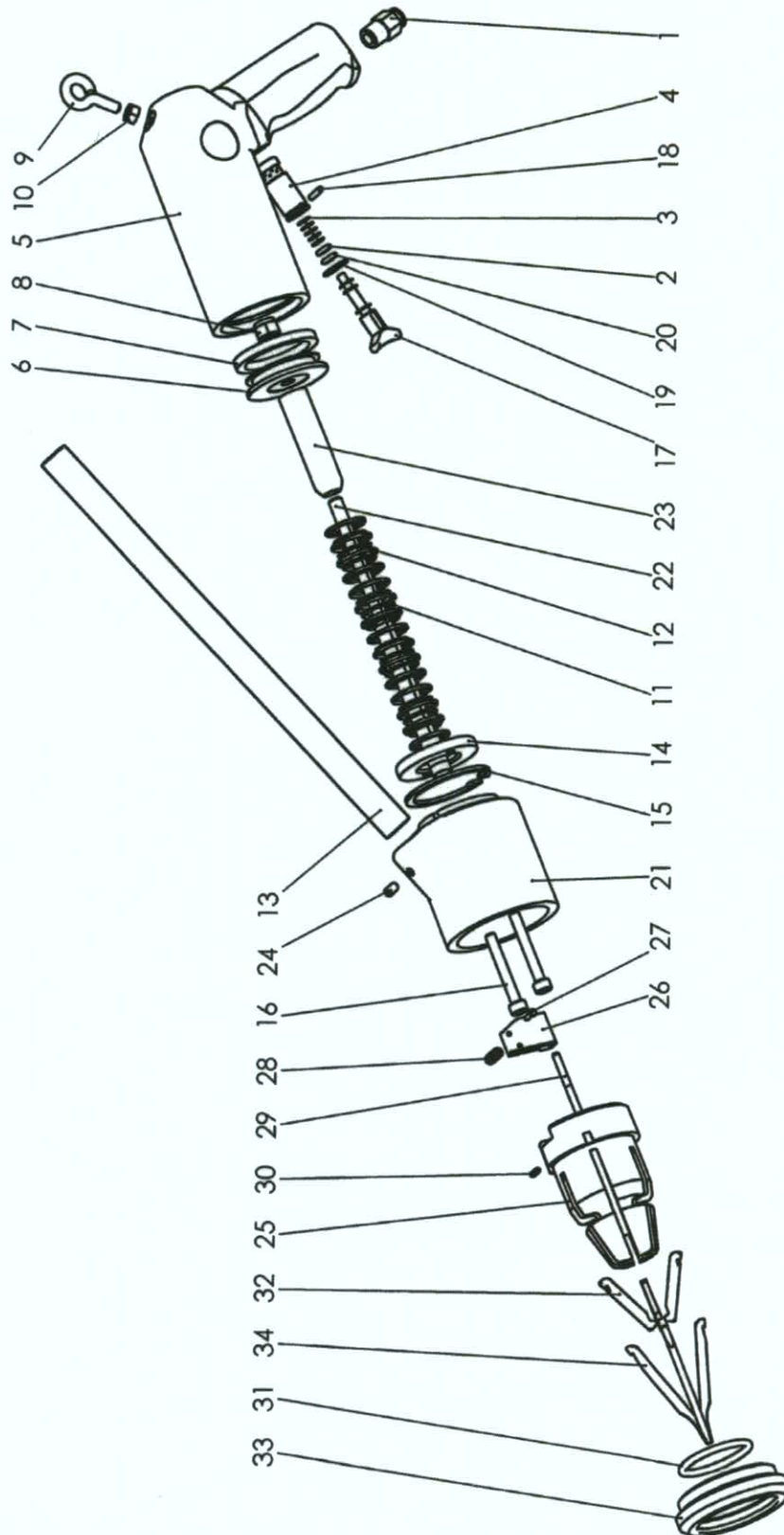


9.5 Exploded drawing EP-12, EP-15



9.6 Spare parts list EP-12, EP-15

Item	OKU part No.	Qty	Designation
1	00031539	1	Coupling
2	00003463	1	O-Ring
3	00350297	1	Compression spring
4	00350728	1	Bushing
5	00470942	1	Hand grip
6	00350664	1	Piston disk
7	00003507	1	Lip seal
8	00004082	1	Hexagon nut M8
9	00000613	1	Eyebolt
10	00000627	1	Hexagon nut M6
11	00350670	1	Compression spring, inner
12	00350669	1	Compression spring, outer
13	00350659	1	Feeding pipe 12
	00350660	1	Feeding pipe 15
14	00350666	1	Retaining ring
15	00000796	1	Circlip
16	00004099	2	Hexagon socket head cup screw
17	00470092	1	Trigger

Item	OKU part No.	Qty	Designation
18	00000536	1	Dowel pin
19	00003464	1	O-Ring *
20	00003404	1	O-Ring
21	00470238	1	Intermediate piece
22	00250053	1	Push rod 12 *
	00250049	1	Push rod 15 *
23	00350710	1	Sleeve
24	00000300	1	Set screw
25	00470221	1	Gun head EP-12
	00470222	1	Gun head EP-15
26	00350991	1	Separating flap
27	00403148	1	Separating pin EP-12
	00403147	1	Separating pin EP-15
28	00350665	1	Compression spring
29	00350806	1	Dowel pin
30	00004083	1	Spring dowel pin
31	00003467	1	O-ring *
32	00353731	3	Centering finger *
33	00350923	1	Union nut
34	00470946	3	Spreader finger for truck *

00885027	1	corrosion preventive-oil, aerosol can 100 ml (single) *
00885028	1	grease, tube 20 g (single) *
20015510	1	1 aerosol can corrosion preventive-oil (100 ml) and 1 tube grease (20 g) as maintenance-set

* = included in the spare parts-set